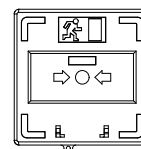
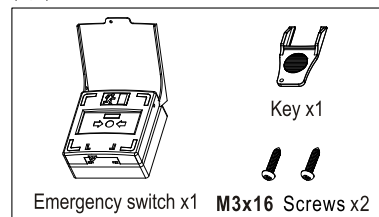


※ Features

1. Resetable design, obvious indicators around the edges of the unit.
2. Press the pressing plate to enable the output function.
3. Pressing plate with status (green and red) shown.
4. Reversionary key with non-slip design.
5. Input power range from DC12-24V to connect with all types of fire alarm system.
6. Built-in buzzer status to set as silent, interval wailing or continuous wailing. Volume is adjustable.
7. Easy to assemble, outer case without screws, 3 set of output points to connect other equipment, embedded or surface installations to select.
8. Red or green case to select (it is suggested to select red case for fire alarm system and green case for access control system).

※ Accessories

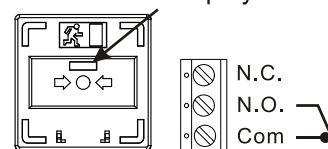


※ Specifications

Item			
Power supply	DC 12V~DC 24V	×	± 5%
Operation current	DC 12V/18mA(Standby)/75mA(Operation)	×	± 5%
	DC 24V/11mA(Standby)/41mA(Operation)	×	± 5%
Buzzer	Set as silent, interval wailing or continuous wailing	×	
Indicator	Dual-color (red and green) . Red indicator to set blinking , off or on.	×	
Output	N.O. 、N.C.& COM.Output (Maximum load of 125V/3A)		
Weight	192 g		
Dimensions	90mm(L)x93mm(W)x45mm(H)		
Material	ABS, PC(transparent part)		

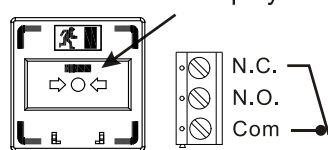
【Standby】

Status display : Green

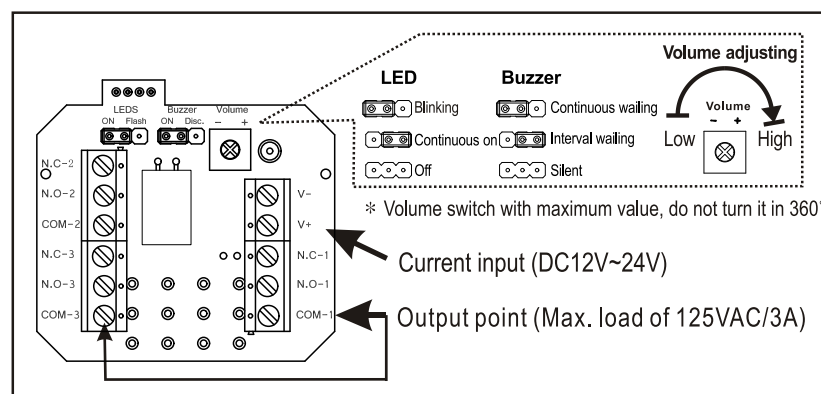


【Operation】

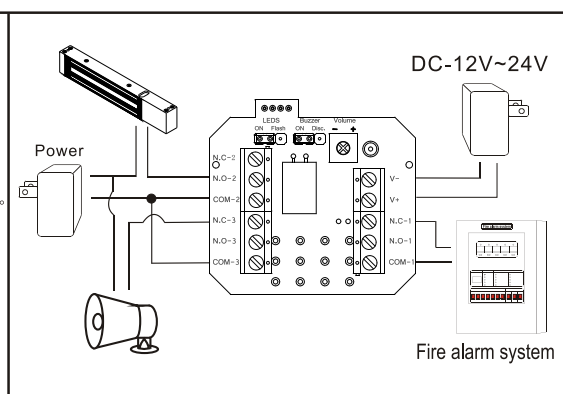
Status display : Red



※ Connections



※ Wiring Diagram



※ Attention before installation

⚠ Please press the pressing plate to make sure the states turns red before opening the front and middle covers in order to prevent the spring being popped out.

1 Press

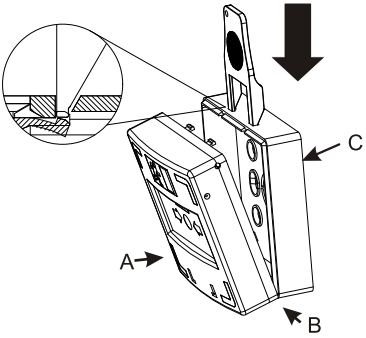
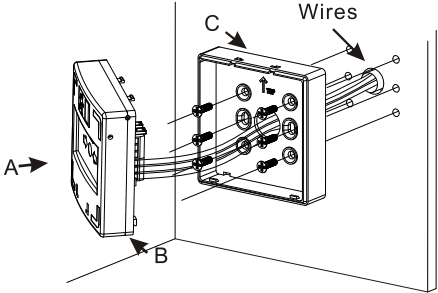
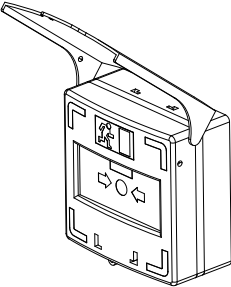
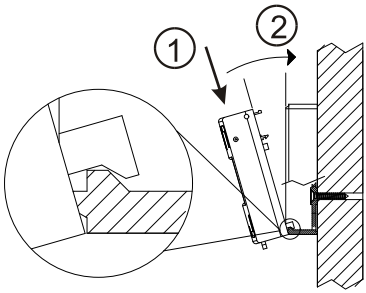
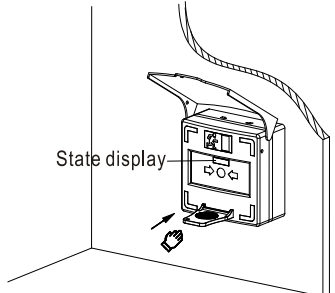
2

▲ Fixed holes embedded box as 60mm.

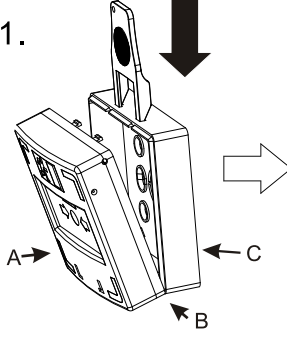
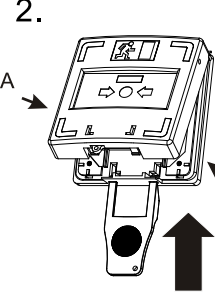
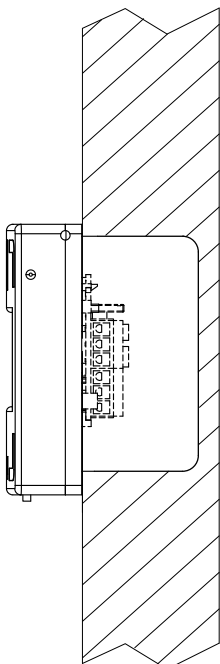
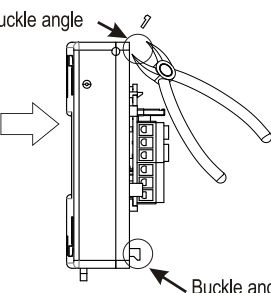
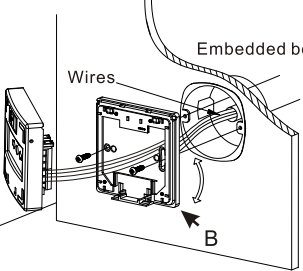
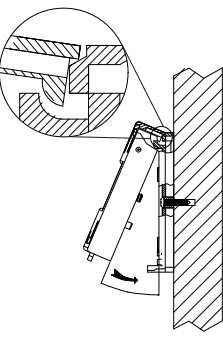
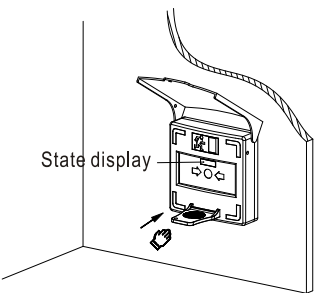
▲ Restricted terminal's aperture shown below.

※ Installation

Surface Installation

<p>Installation steps</p>	<p>1. </p> <p>Use key to disassemble B and C fastenings.</p>		<p>2. </p> <p>Fix bottom cover C and connect the wires</p>	
<p>Completed</p> 	<p>3. </p> <p>Fastening the unit as the diagram shown above.</p>		<p>4. </p> <p>Insert the key into the key hole. Pull the key out when the states turns green to complete the setting.</p>	

Embedded Installation

<p>Installation steps</p>	<p>1. </p> <p>Use key to disassemble B and C fastenings.</p>		<p>2. </p> <p>Use key to disassemble A and B fastenings.</p>		
<p>Lateral view</p> 	<p>No bottom cover C needed for embedded installation.</p>		<p>Clip the unnecessary buckle angles.</p> 		
<p>3. </p> <p>Fix middle cover B and connect the wires.</p>		<p>4. </p> <p>Fastening the unit as the diagram shown above.</p>		<p>5. </p> <p>Insert the key into the key hole. Pull the key out when the states turns green to complete the setting.</p>	